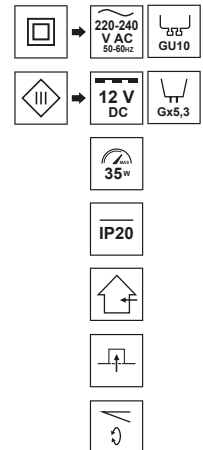


CERI 1 OV Silver



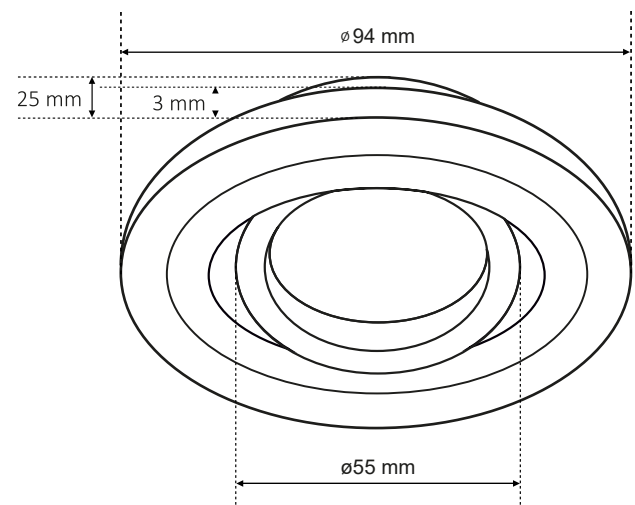
EDO777140



Decorative ring of the lighting CERi 1 OV Silver

The CERi series of concealed eyelets is characterized by minimalism and subtlety. It is a collection of recessed luminaires with classic- round and square shapes with an adjustable ring. The smooth, matte finish of white and black is combined with brushed silver. Luminaires are available as single points and in the version of double spots. You can combine them and configure in any way to create a unique lighting arrangement. The discreet, recessed mounting makes CERi an unobtrusive decoration that does not dominate or distract attention from other elements of the decor.

SPECIFICATIONS	EDO777140
Application:	inside
Type of assembly:	recessed into the ceiling
Installation site:	ceiling
Colour:	silver
Type of finish:	brushed, middle-lustre
Material:	aluminium
Dimensions:	
-width [mm]:	ø94mm
-length [mm]:	-
-ring diameter [mm]:	ø55mm
-height [mm]:	3mm
-overall height [mm]:	25mm
-mounting hole [mm]:	ø80mm
Adjustable:	yes
Shutter:	-
Socket included:	no
Socket type:	GU10/ Gx3,5
Number of slots:	1
Light source included:	no
TECHNICAL DATA	
Maximum power [W]:	35W
Rated voltage [V]:	220-240 V AC/ 12 V DC
Rated frequency [Hz]:	50-60 Hz
IP:	IP20
Protection class:	II/III
Mercury content:	no
Environmental conditions [°C]:	-20...50°C
The minimum distance from illuminated object [m]:	0,5m
LOGISTIC DATA	
Collective packaging [pc.]:	100pc
Weight [g]:	85g
Weight with packaging [g]:	109g



EAN:



51903624727412

