

# SEVA Power Black



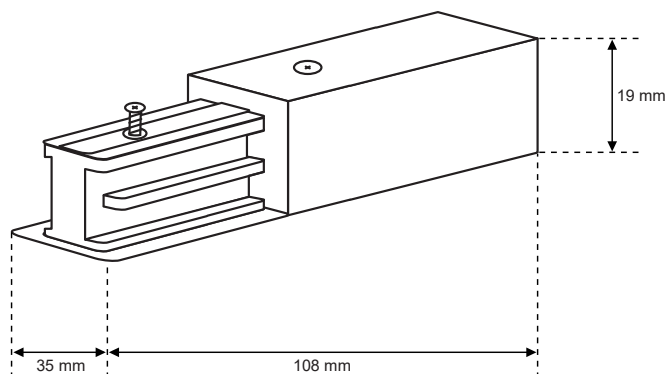
EDO777412



## Power supply SEVA Power Black

Rail lighting is an innovative solution that gives an endless number of combinations, personalization possibilities and creating unique illumination of the room. The rail system is a whole set of elements- rails, connectors, power supplies and plugs.

SPECIFICATIONS	EDO777412
Application:	inside
Type of system:	track SEVA
Type of assembly:	surface-mounted
Installation site:	ceiling
Colour:	black
Type of finish:	mat
Material:	PC, steel, copper
Dimensions:	
-length [mm]:	108mm
-height [mm]:	19mm
-width [mm]:	35mm
TECHNICAL DATA	
Rated voltage [V]:	220-240 V AC
Rated frequency [Hz]:	50-60 Hz
Maximum load:	600W
IP:	IP20
Protection class:	I
Mercury content:	no
Environmental conditions [°C]:	-20...50°C
LOGISTIC DATA	
Collective packaging [pc.]:	200pc
Weight with packaging [g]:	62g



EAN:

