



ENERGY
EDO
EDO777247

13w

900 lm

neutral white
4000K

220-240 V AC
50-60Hz

120°

IP44

A
B
C
D
E
F
G

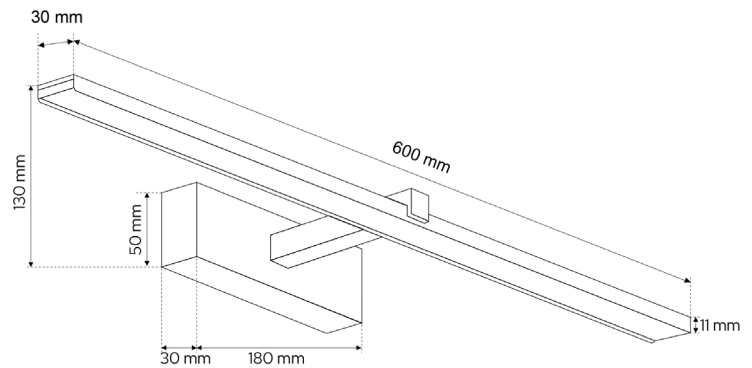
13
kWh/1000h

2019/2015

Lighting fixture ROA LED White

The ROA LED wall lamp is distinguished by a modern and linear form thanks to the use of an integrated LED module. The non-standard, elongated design is ideally suited to be mounted above a bathroom mirror, a display cabinet or above a gallery of family photos. The light of a natural color falling from above will emphasize the details and highlight the play of light and shadow.

SPECIFICATIONS	EDO777247
Source Type:	mirror lamp
Application:	inside
Installation:	surface
Adjustable:	no
Dimensions [mm]:	
-height [mm]:	130mm
-width [mm]:	600mm
-depth [mm]:	55mm
Colour:	white
Material:	aluminium, glass
Cover colour:	transparent
Energy efficiency class [A-G]:	A G
Cooperation with a dimmer:	no
Dimmer:	-
TECHNICAL DATA	
Power in the on-mode P _{on} [W]:	13W*
Standby power P _{sb} /P _{net} [W]:	-
Rated voltage [V]:	220-240 V AC
Rated frequency [Hz]:	50-60 Hz
Color temperature [K]:	4000 K
Light color change:	no
Light color change [°]:	119.4°
Color rendering index CRI:	< 80
Color rendering index R9:	15
Luminous flux [lm]:	900 lm
Measurement of the luminous flux in:	ball (360°)
Luminous efficiency [lm/W]:	81,76
Rated life [h]:	25000 h
Number of cycles on/off:	15000
On-mode energy consumption [kWh/1000h]:	13*
IP:	IP44
Replaceable LED module:	no
Protection class:	I
Mercury content:	nie
Environmental conditions [°C]:	-20°C...40°C
LOGISTIC DATA	
Collective packaging [pc]:	20pc.
Weight [g]:	-
EAN:	



* The value has been rounded to whole numbers due to the requirements of the EPREL (European Registry for Energy Labeling) system